

Name: _____

Lowest Acceptable Grade: _____

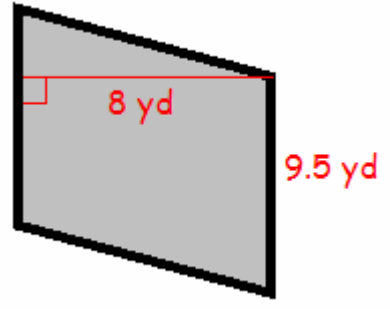
Find the Distance between two points

1. $(-9, 0)$ $(0, 7)$ 2. $(-4, 2)$ $(5, -1)$ 3. $(-8, 6)$ $(1, 7)$ 4. $(1.2, 2)$ $(8.7, 6)$

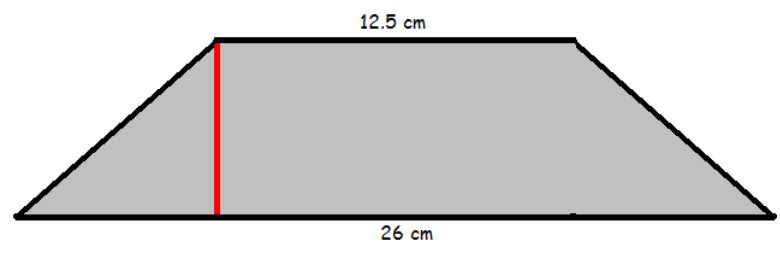
Find the Midpoint for the two points

5. $(-10, 7)$ $(4, 5)$ 6. $(3.8, 4)$ $(6, 0.2)$ 7. $(17.4, 9.1)$ $(3, 1.3)$

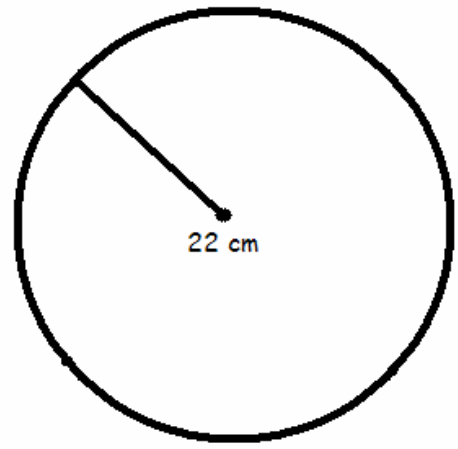
8. Find the Area



9. Find the Height



10. Find the Area



Make an ordered stem-and-leaf plot of the data

11. 12, 50, 72, 67, 33, 98, 44, 16, 91, 47, 42, 53, 33, 11, 60, 77, 35, 79

12. 3.23, 3.01, 2.68, 3.16, 2.88, 3.11, 2.55, 3.19, 2.56, 3.21, 2.66, 3.50, 2.66

Make a Frequency Table

13. 1300, 2800, 9100, 7600, 3100, 2200, 1300, 2500, 4200, 1800, 1100, 6000

14. A study determined the amount of energy that was produced by different means, such as electric, solar, wind, and natural gas. Is this data numerical or categorical? Why?

15. What is $0!$

16. Write $30 \cdot 29$ using factorials?

17. Find the Distance between the following points: $(1.5, 4)$ and $(3, 6)$

MN has endpoints of M $(-3, 2)$ and N $(5, 0)$. JK has endpoints of J $(-3, 1)$ and K $(3, -5)$.

18. Which is longer?

The points P $(0, 0)$; Q $(6, 0)$; and R $(6, 6)$ are the vertices of a right triangle.

19. Find the coordinates of the midpoint of the hypotenuse

20. Find the distance of the hypotenuse